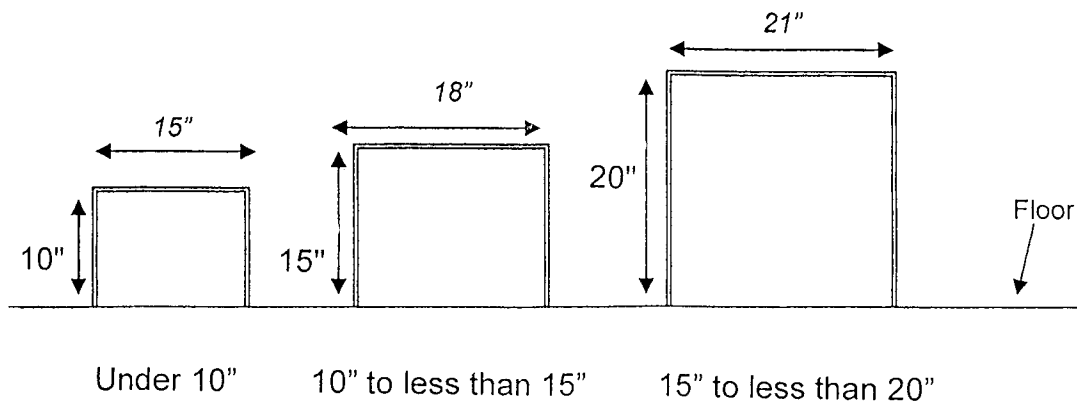


How to measure a dog

Place the wicket over the dog at the withers (Top of the shoulders). The wicket must touch the ground without pushing it down on the dog. If the dog fits, read the jump height marked on the wicket.

Wickets are made of $\frac{3}{4}$ inch PVC pipe.



Dogs that do not fit under the 15" to less than 20" wicket are in the jump height class called over 20".