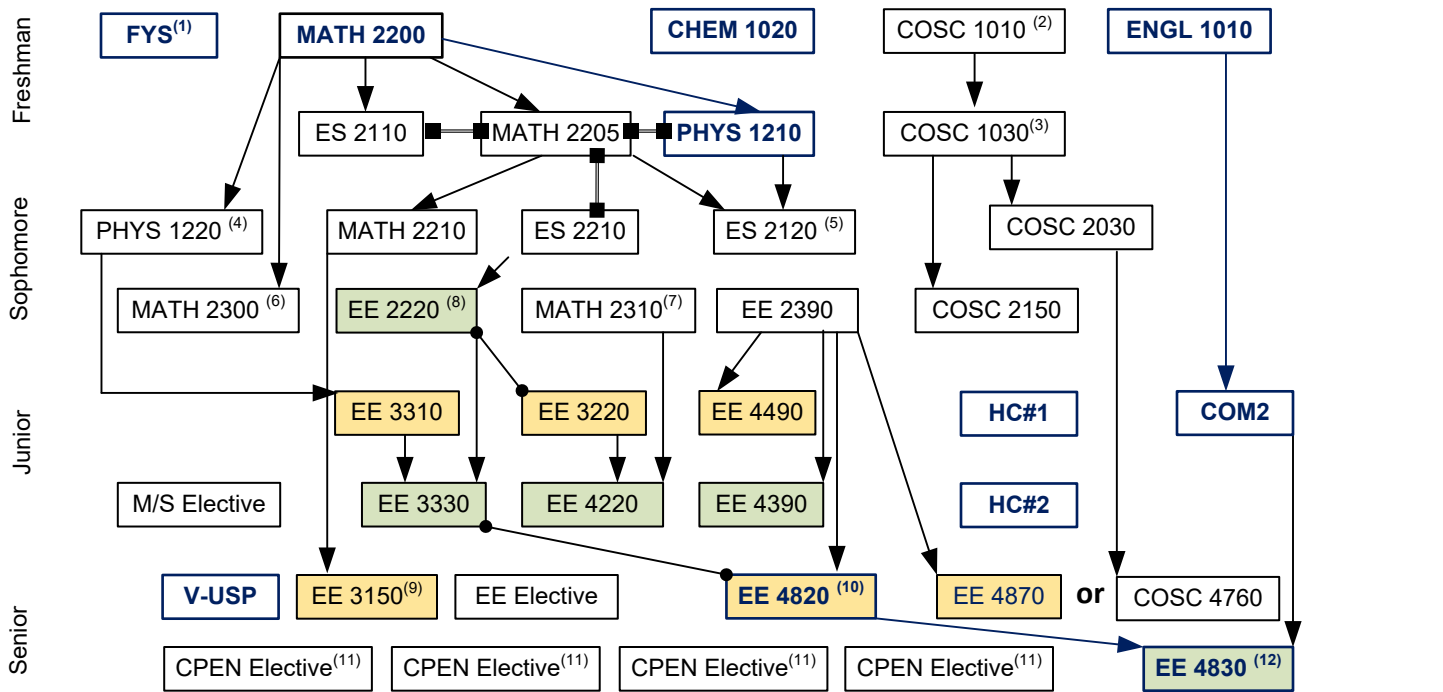


Computer Engineering Flow Chart - 2016 - 2017



→ Prerequisite "C" or better required for all EE prerequisite courses

■ Concurrent enrollment ● Corequisite

Offered Spring Only

Offered Fall Only

USP Course

- (1) FYS – Students are encouraged to take EE 1101 to meet this requirement
- (2) COSC 1010 Prerequisites: grade of C or better in MATH 1400 or Level 4 or higher on the Math Placement Exam (MPE) within one year prior to the start of the course
- (3) COSC 1030 Prerequisites: COSC 1010 or equivalent experience
- (4) PHYS 1220 Prerequisites: C or higher in MATH 2200 and 2205, and concurrent enrollment in MATH 2210
- (5) ES 2120 Prerequisites: ES 2110 and MATH 2205; PHYS 1210 or concurrent enrollment. PHYS 1210: no credit can be earned in PHYS 1210 if taken after ES 2120.
- (6) MATH 2300 Prerequisites: grade of C or better in COSC 1030, MATH 2200 or 2350
- (7) MATH 2310 Prerequisites: grade of C or better in MATH 2205
- (8) EE 2220 is a corequisite for EE 3310 and a prerequisite for EE 3330
- (9) EE 3150 Prerequisites: ES 2210, MATH 2210, and PHYS 1220 or concurrent enrollment
- (10) EE 4820 Prerequisites: EE 2390 and EE 3330. Also, if being used for the COM3 requirement, a COM 2 course must be taken prior to enrollment in EE 4820.
- (11) CPEN Elective List Note: Choose four classes from this list, at most two of which can be from the Computer Science department. EE 4075 is not an allowed CPEN option. Other EE or COSC graduate level classes may be considered upon petition. Prerequisites for Upper Division electives vary. Consult the Course Descriptions in the University Catalog for each course.
EE 4245, 4340, 4345, 4360, 4440, 4530, 4590, 4870, 4990, 5390, 5430, 5630, 5650
COSC 3020, 4450, 4550, 4555, 4560, 4730, 4740, 4760.
- (12) COM3 to satisfy this requirement with EE 4820/4830 the COM2 course must be taken before EE 4820 and EE 4820 and EE 4830 must be taken in sequence.

Students must have a minimum cumulative GPA of 2.0 in all Engineering courses for graduation. A grade of C (2.0) or higher is required for all prerequisite courses.

Students must complete a minimum of 42 hours of upper division coursework, 30 of which must from the University of Wyoming

Math/Science Elective: One course from the ECE Math/Science Elective List. ABET requires a minimum of 32 hours of a combination of college level mathematics and basic sciences (some with experimental experience) appropriate to the discipline. Basic sciences are defined as biological, chemical, and physical sciences.